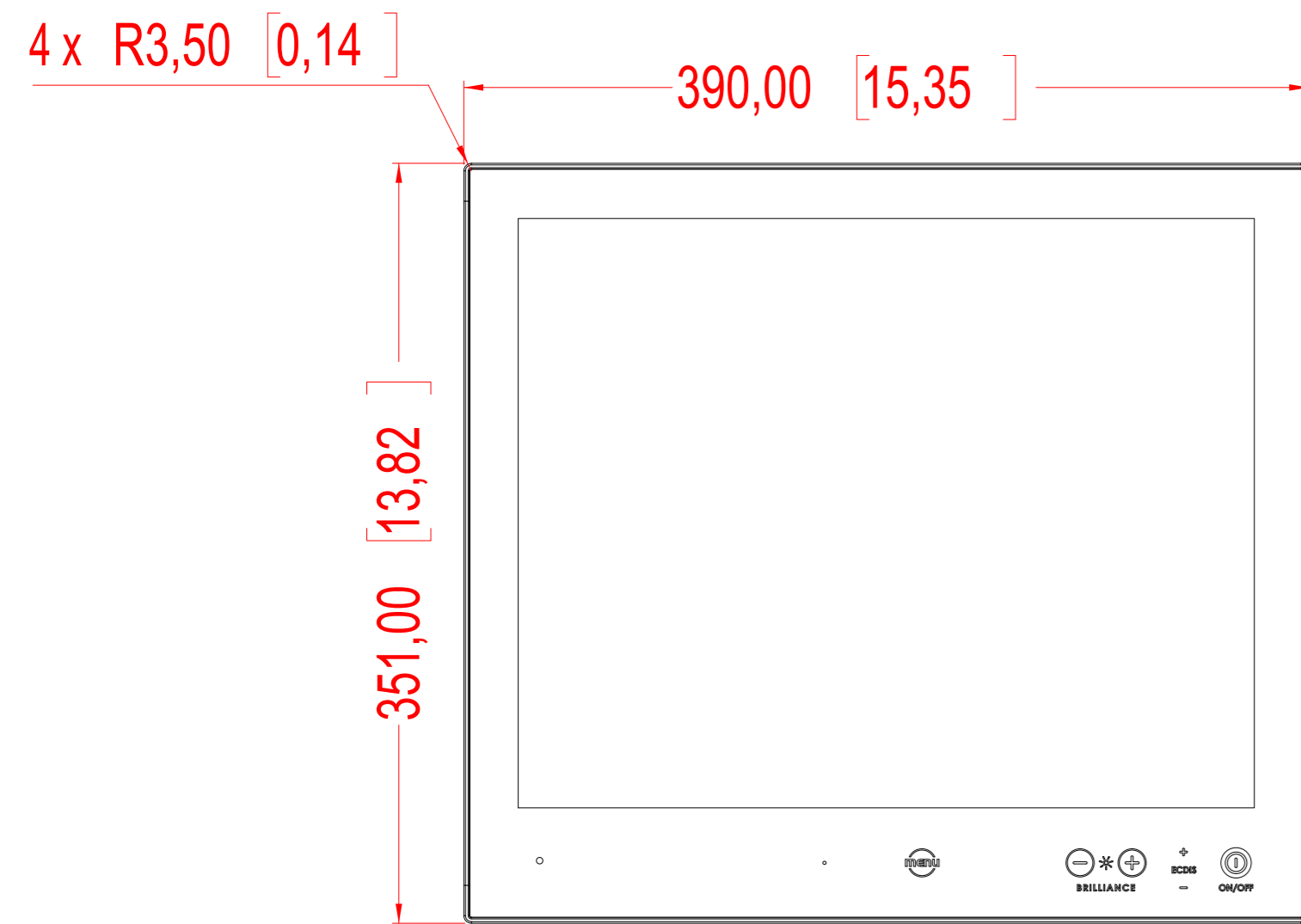
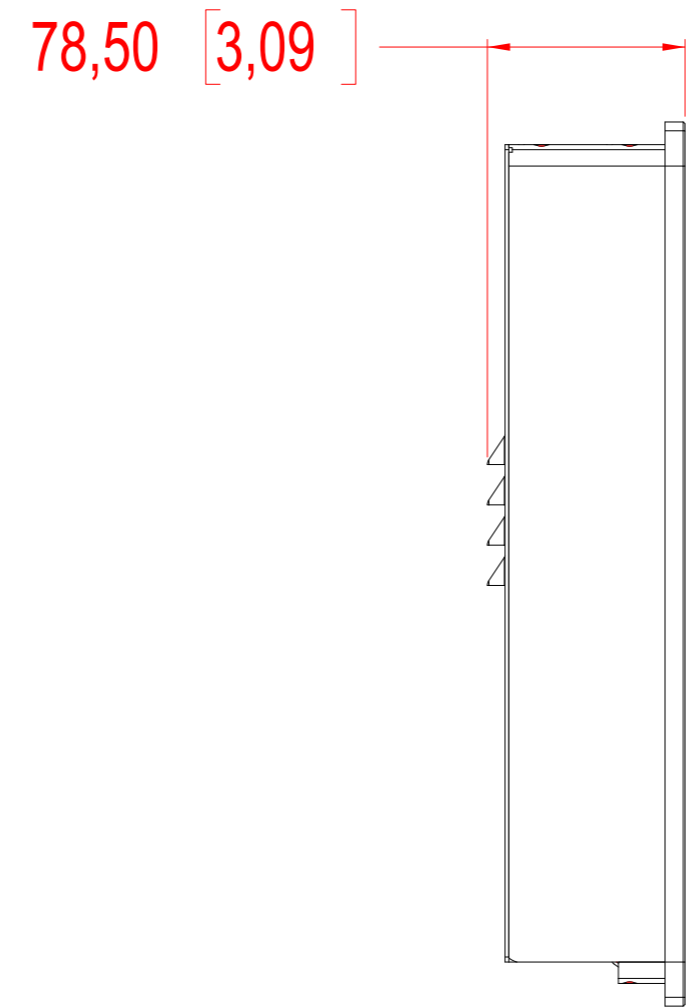


This document is the property of Hatteland Technology AS.
 This document and any authorized reproduction thereof, must not be used in
 any way against the interest of Hatteland Technology AS.
 Any authorized reproduction, in whole or in part, must include this legend.

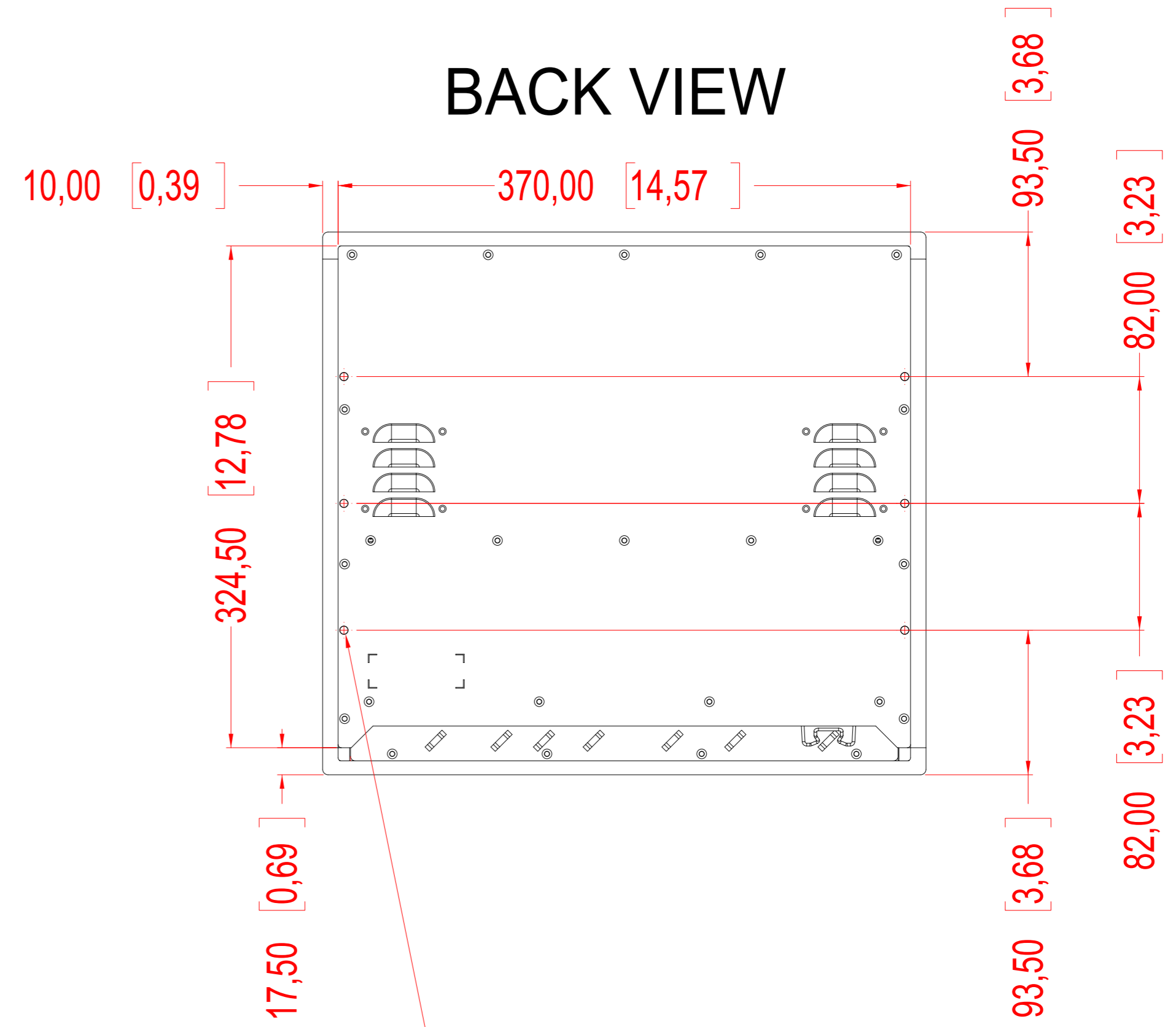
FRONT VIEW



SIDE VIEW

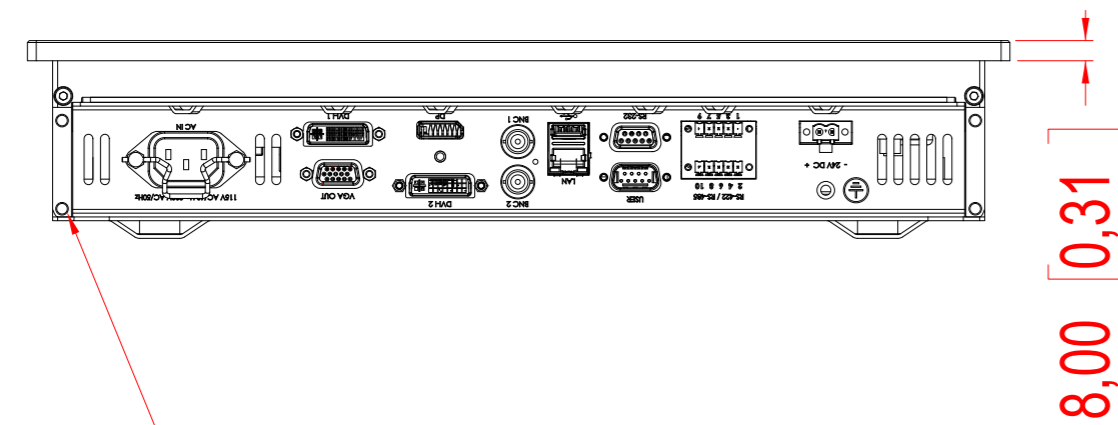


BACK VIEW



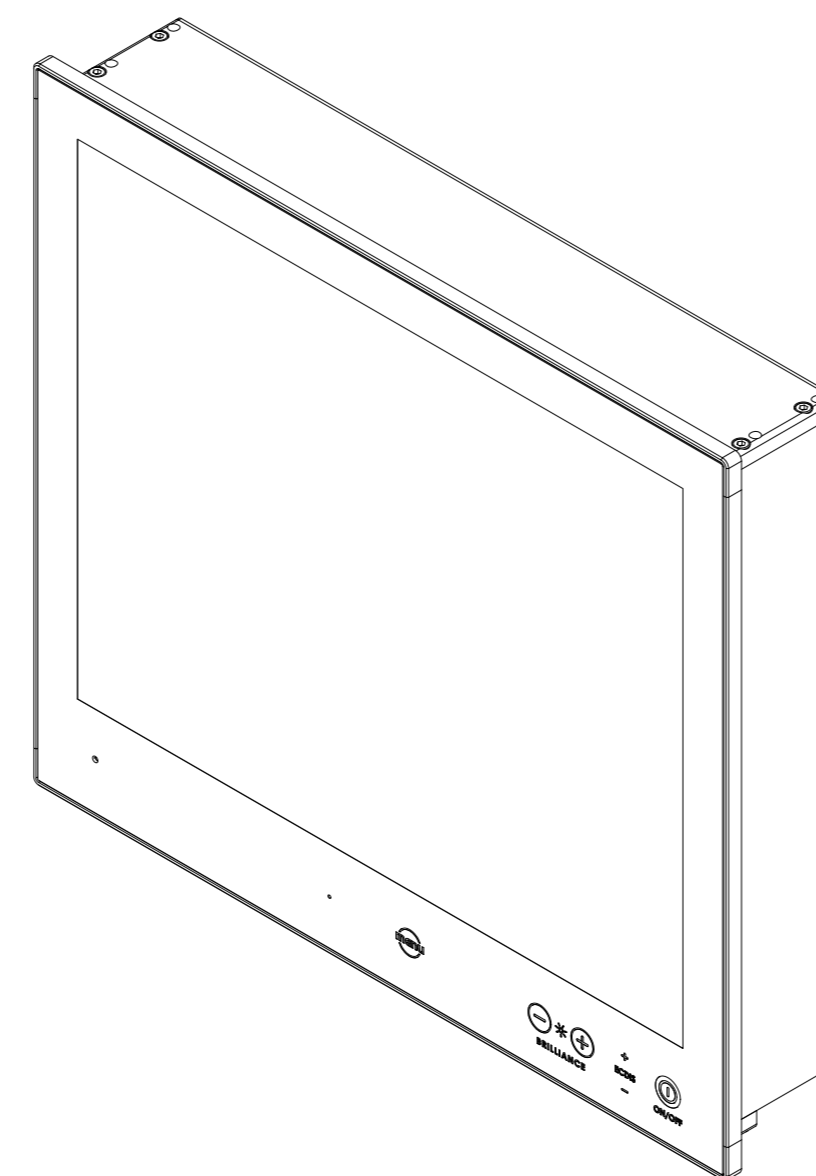
6 x M5 for Console/VESA brackets
 Max depth 16mm.

BOTTOM VIEW

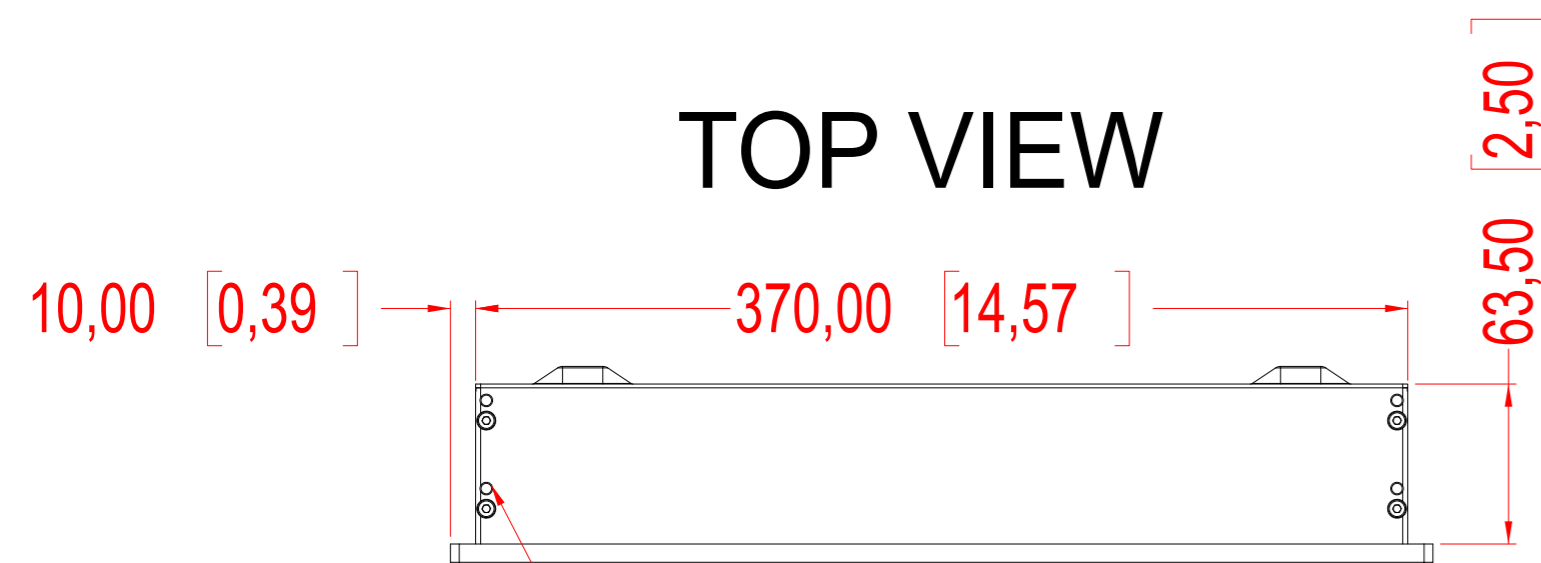


4 x M4 (max depth 6mm).

DIMETRIC VIEW

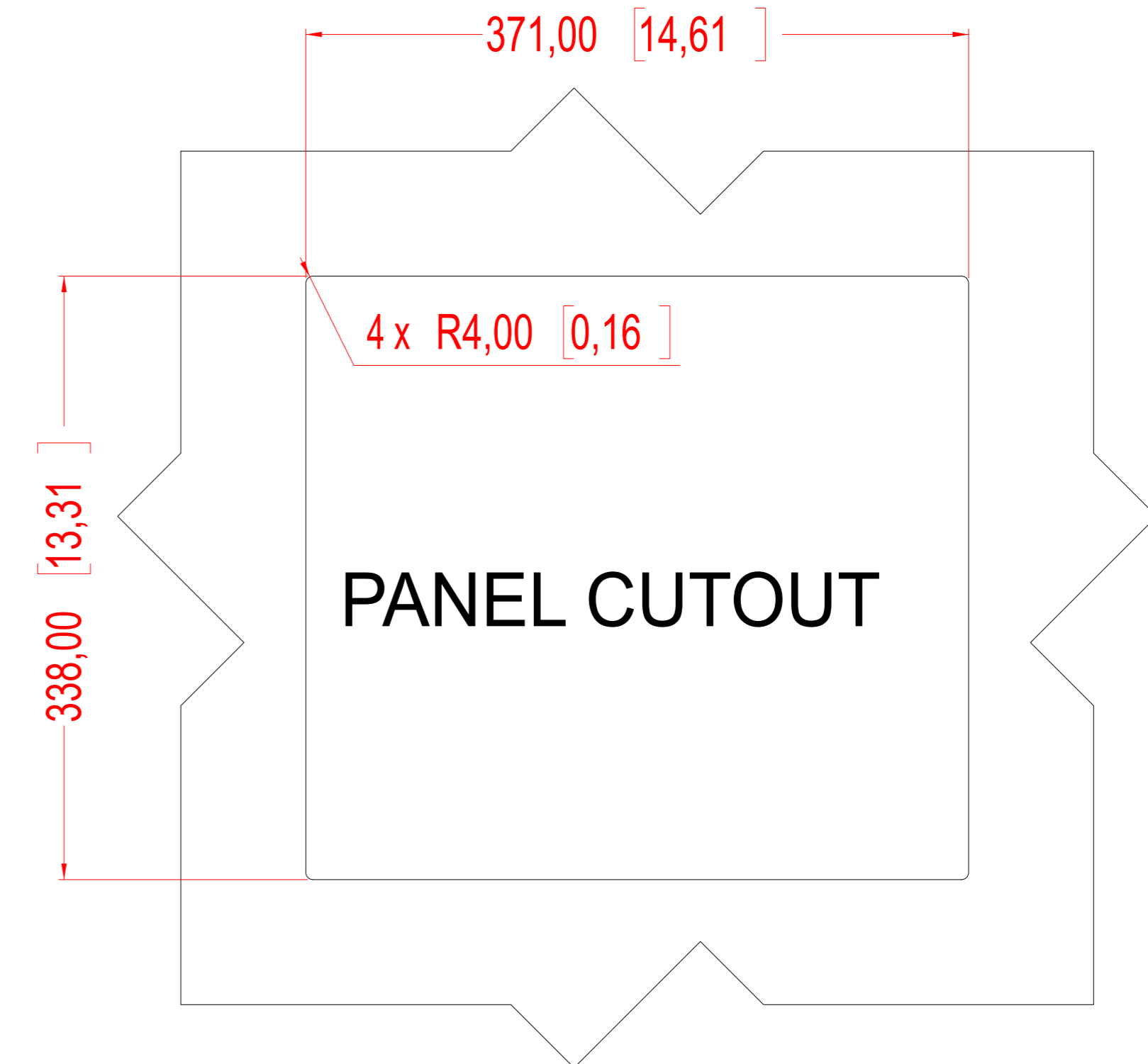


TOP VIEW



4 x M4 (max depth 6mm).

PANEL CUTOUT



Units: mm [inches]

SALES DRAWING HD 17T22 MMD-MA1-FHGP (HW00)
 shown in this drawing, but measurements generally apply for all HD 17T22 MMD-xxx-xHxx High Bright models

Date:	Mechanical Designer:	Projection:	A1	HATTELAND TECHNOLOGY an EMBRON Company
22.06.16	7258		Scale: 1:3	Approved by:
Hatteland Technology AS Eikeskogvegen 52 N-5570 Akksdal			Colour code:	Revision:
			Surface treatment:	Drawing number: Based on A010077